

# 6A7-20 3800 ENGINE VIN CODE LC

## Install or Connect

- Crankshaft balancer.
    - Lubricate seal surface with engine oil.
- NOTICE:** This bolt is designed to permanently stretch when tightened. The correct part number fastener must be used to replace this type of fastener. Do not use a bolt that is stronger in this application. If the correct bolt is not used, the parts will not be tightened correctly. Part or system damage may occur.
- Balancer bolt.
    - Hold flywheel with J 37096.

## Tighten

- Balancer bolt to 150 N•m + 76° (111 lb. ft. + 76°) using J 36660.

## FRONT COVER

Figure 31

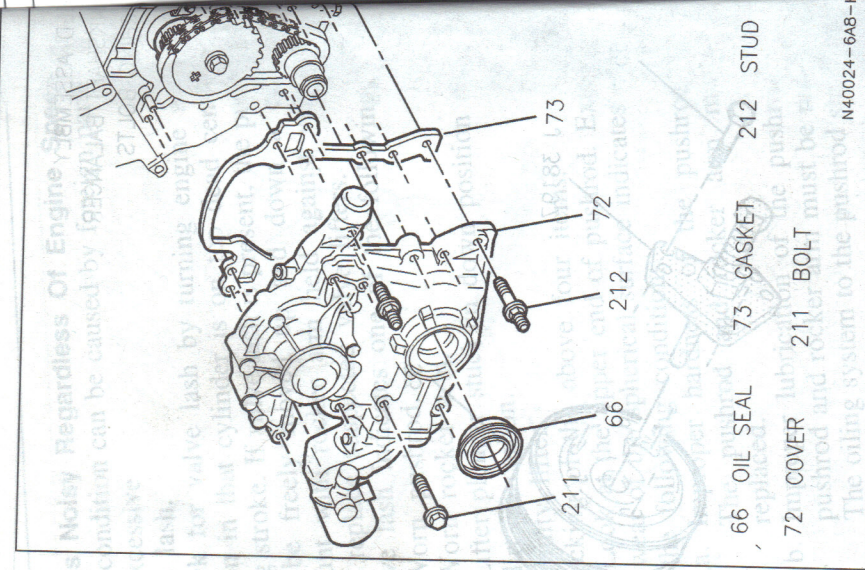
## Remove or Disconnect

- Tools Required:
- J 37096 Flywheel Holding Tool
  - J 38197 Crankshaft Balancer Puller
  - J 28467 Engine Support Fixture
  - J 38854 Lift Bracket
  - J 36660 Torque Angle Meter

- Torque axis mount.
- Drive belt.
- Crankshaft balancer with J 38197.
- Sensor shield.
- Crankshaft sensor.
- Oil pan to front cover bolts.
- Front cover attaching bolts and cover.

## Inspect

- Timing chain for overall "in and out" movement. Should not exceed 25 mm (one inch).
- Sprockets for wear.



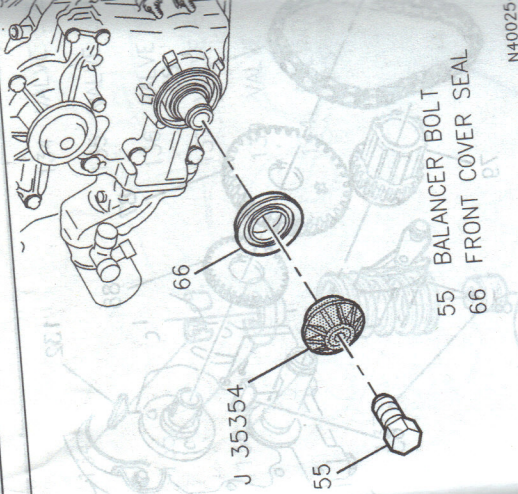
- 66 OIL SEAL
- 72 COVER
- 73 GASKET
- 211 BOLT
- 212 STUD

Figure 31 - Front Cover

## Tighten

- Bolts to 30 N•m (22 lb. ft.).
- Oil pan to front cover bolts.
- Tighten**
- Bolts to 14 N•m (125 lb. in.).
  - Crankshaft sensor.
  - Sensor shield.

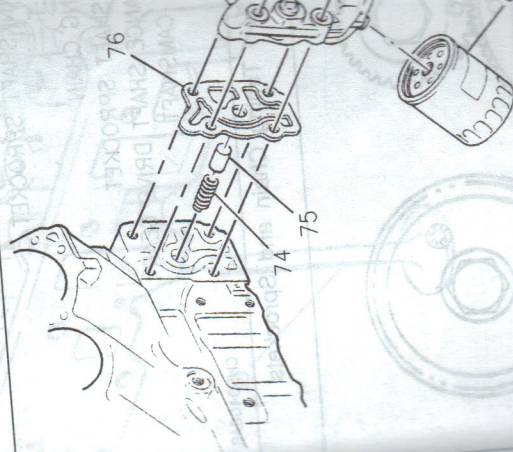
**NOTICE:** This bolt is designed to permanently stretch when tightened. The correct part number fastener must be used to replace this type of fastener. Do not use a bolt that is stronger in this application. If the correct bolt is not used



- 55 BALANCER BOLT
- 66 FRONT COVER SEAL

N40025

Figure 32 - Installing Oil Seal Using J 35354



- 74 SPRING VALVE, OIL PRESSURE
- 75 GASKET
- 76 OIL FILTER ADAPTER
- 77 OIL FILTER ADAPTER

N40025